

page 8

page 5

page 10

page 6

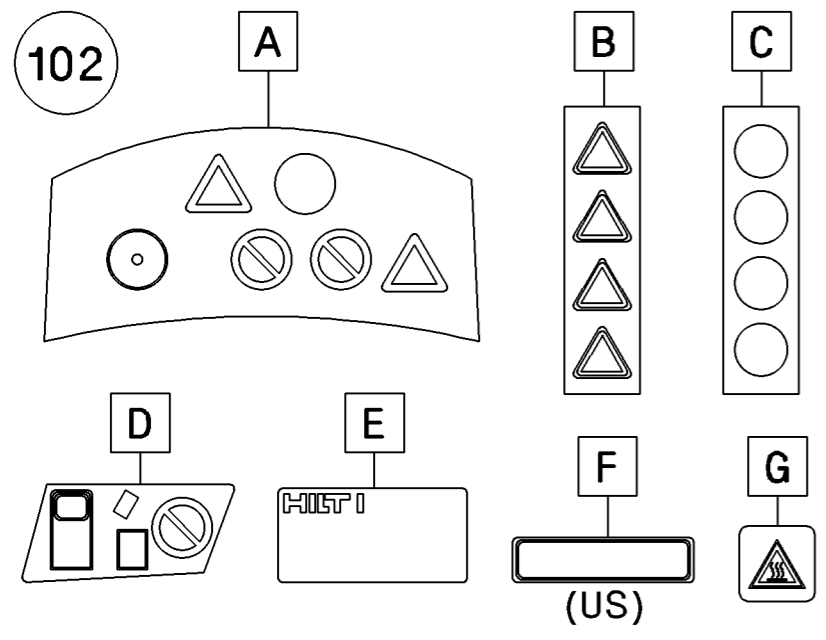
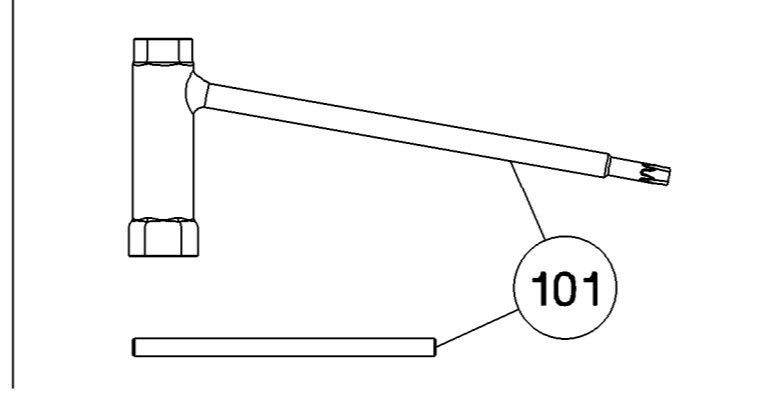
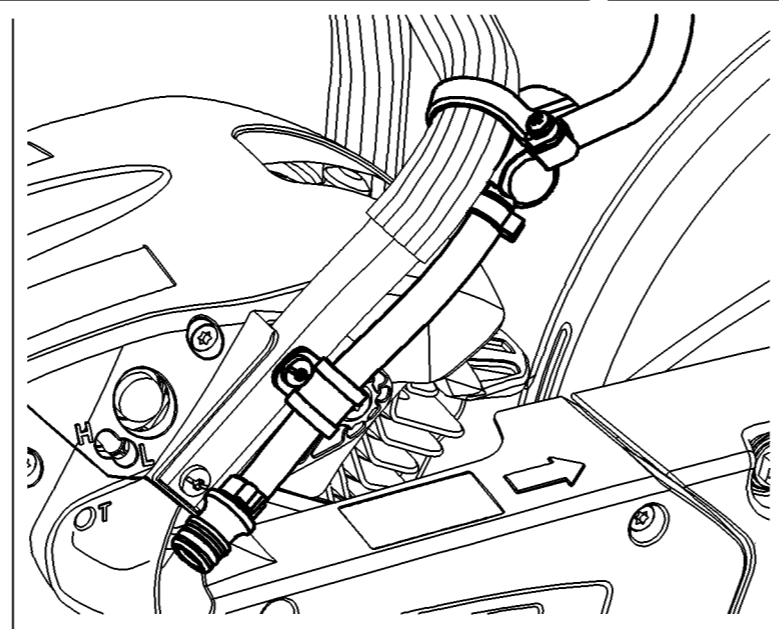
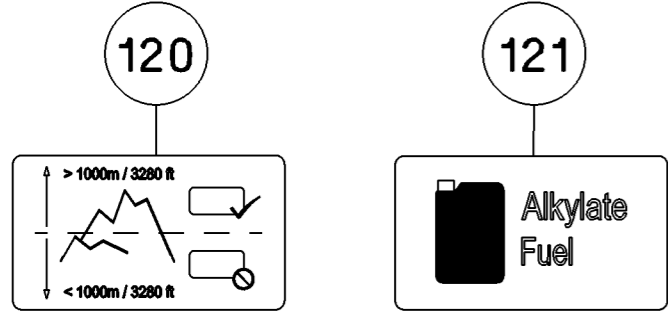
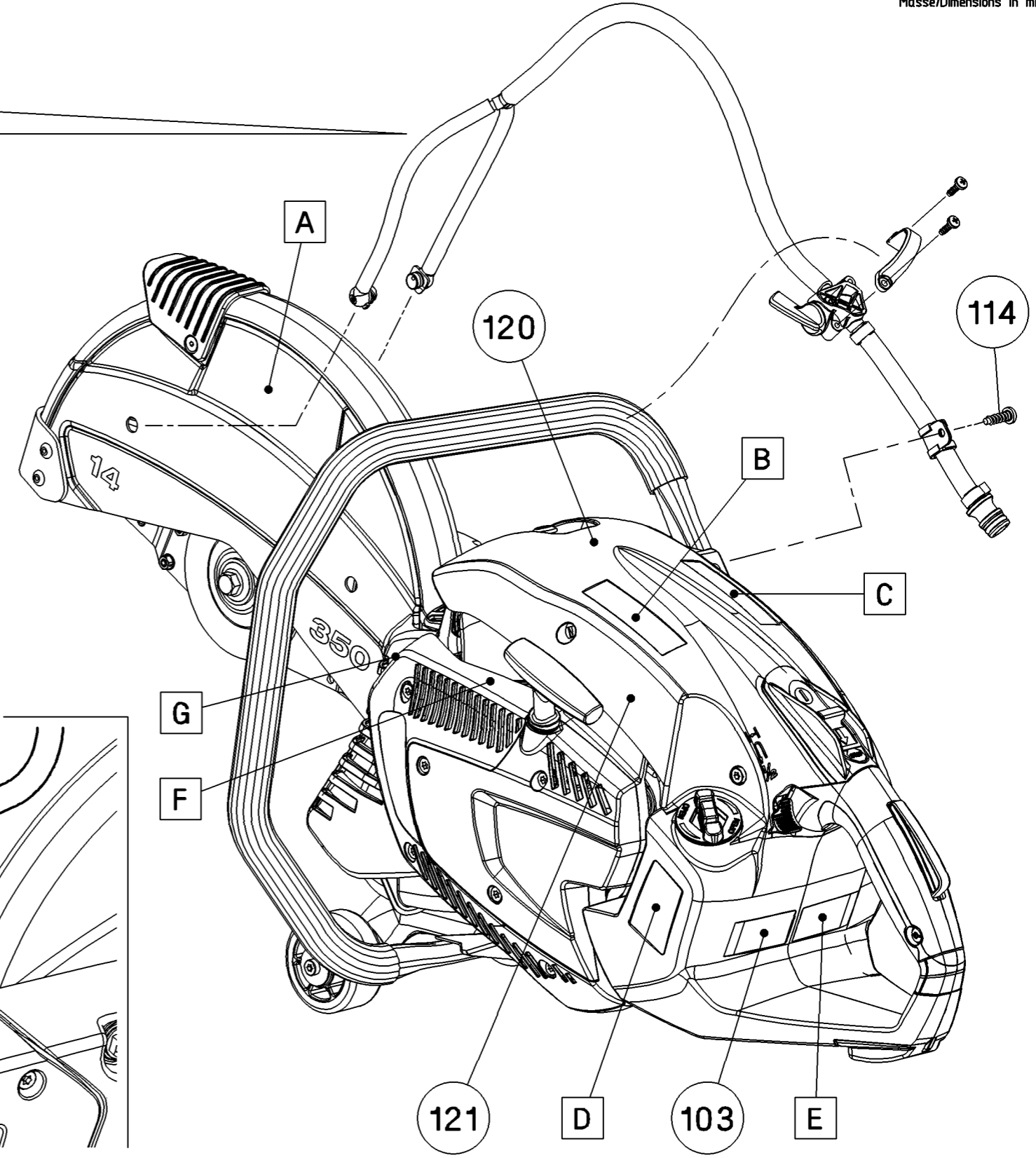
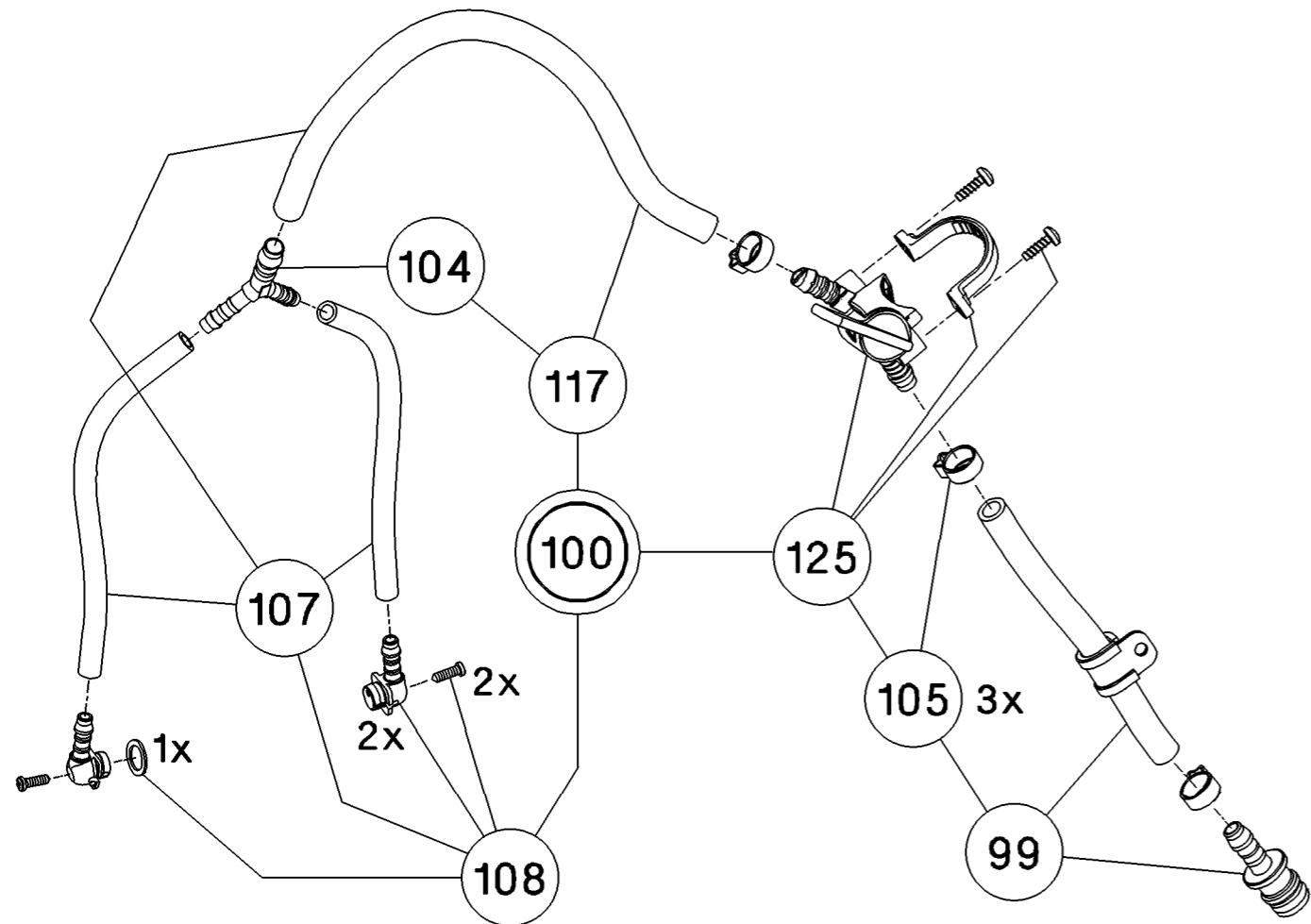
page 3

page 9

page 7

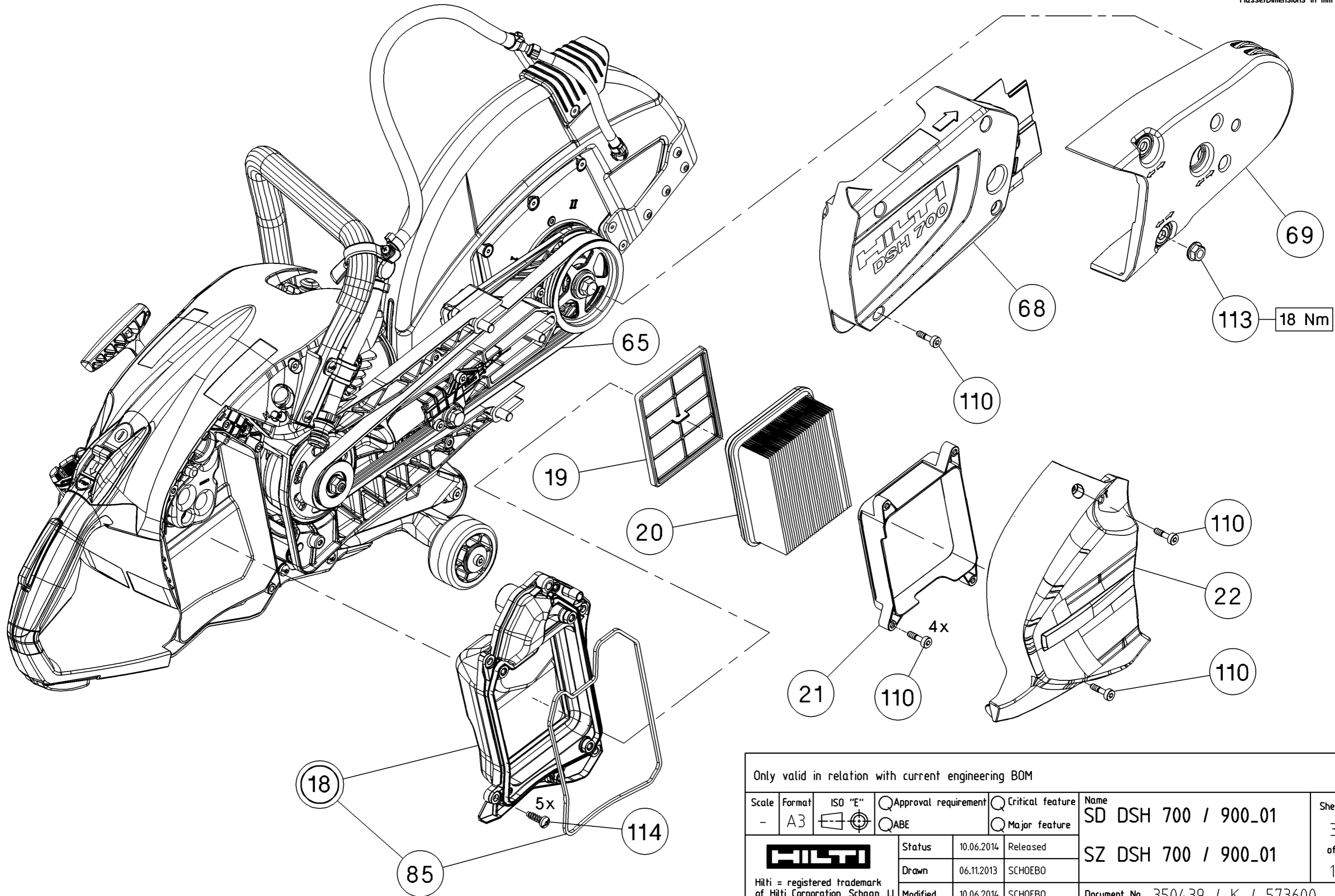
Only valid in relation with current engineering BOM

Scale	Format	ISO "E"	<input type="checkbox"/> Approval requirement	<input type="checkbox"/> Critical feature	Name	Sheet 1 of 13
-	A3		<input type="checkbox"/> ABE	<input type="checkbox"/> Major feature	SD DSH 700 / 900_01	
			Status	10.06.2014	Released	SZ DSH 700 / 900_01
Hilti = registered trademark of Hilti Corporation, Schaan, LI			Drawn	06.11.2013	SCHOEBO	
Copyright reserved			Modified	10.06.2014	SCHOEBO	
			Checked			
					Document No.	350439 / K / 573600
					Material No.	359688



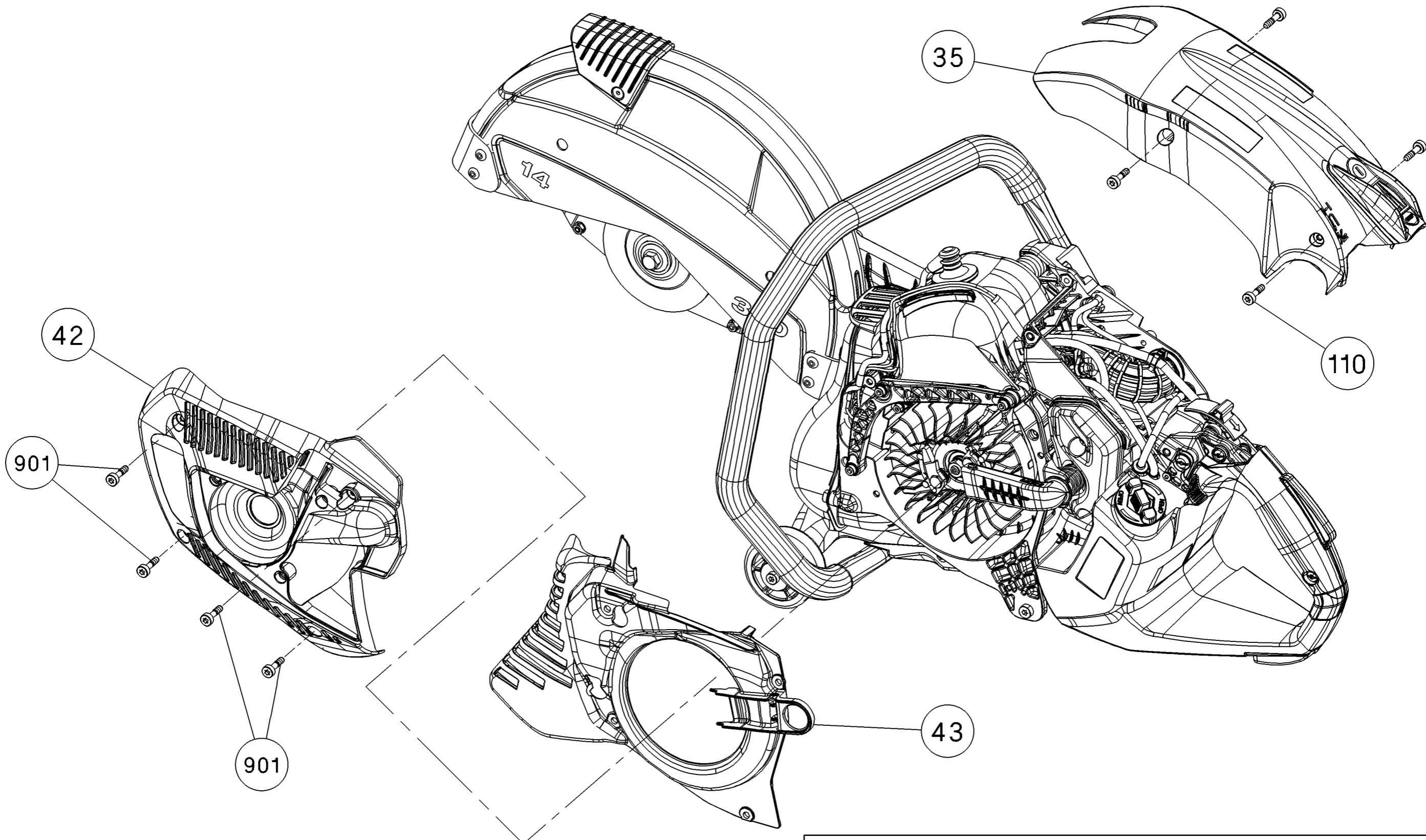
Only valid in relation with current engineering BOM

Scale	Format	ISO "E"	<input type="checkbox"/> Approval requirement	<input type="checkbox"/> Critical feature	Name	Sheet	
-	A3		<input type="checkbox"/> ABE	<input type="checkbox"/> Major feature	SD DSH 700 / 900_01	2	
 Hilti = registered trademark of Hilti Corporation, Schaan, LI Copyright reserved					Status	10.06.2014	Released
					Drawn	06.11.2013	SCHOEBO
					Modified	10.06.2014	SCHOEBO
					Checked		
					SZ DSH 700 / 900_01	of 13	
					Document No. 350439 / K / 573600		
					Material No. 359688		



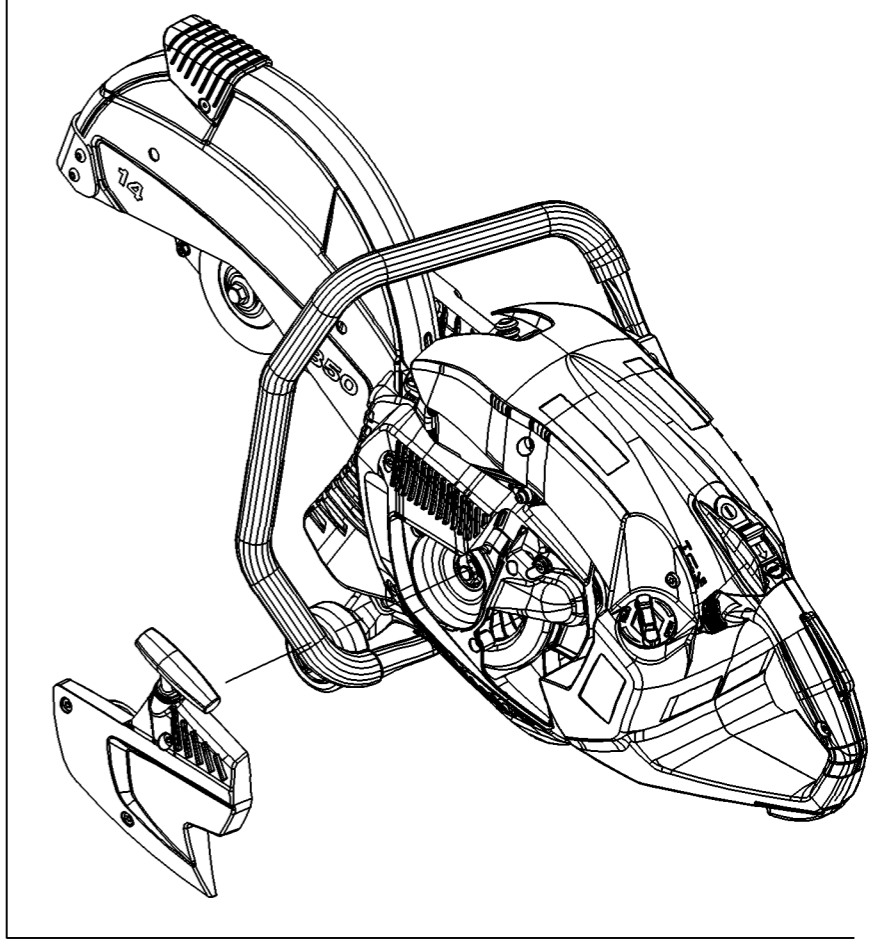
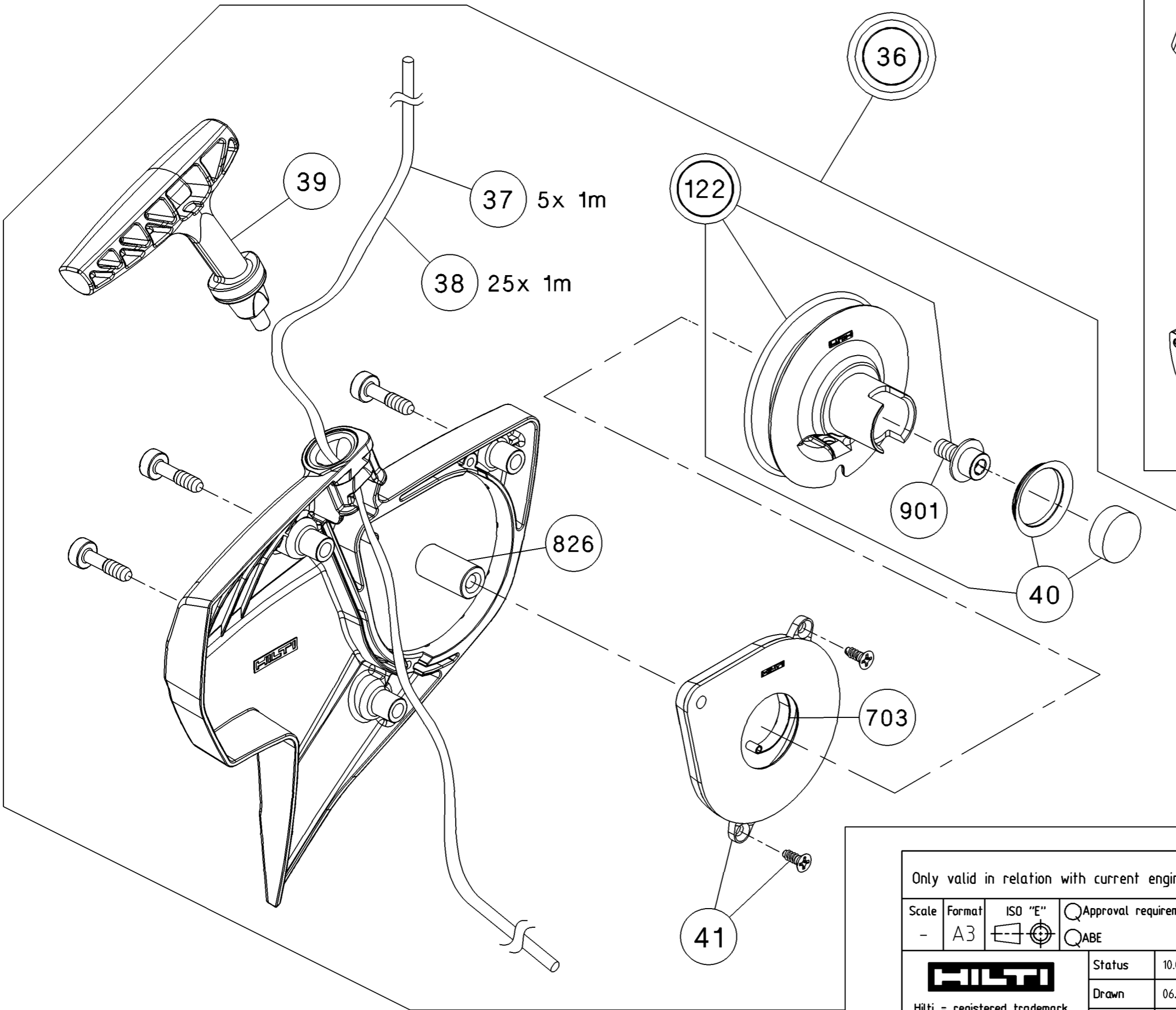
Only valid in relation with current engineering BOM

Scale	Format	ISO "E"	<input type="checkbox"/> Approval requirement	<input type="checkbox"/> Critical feature	Name	Sheet 3 of 13
-	A3		<input type="checkbox"/> ABE	<input type="checkbox"/> Major feature	SD DSH 700 / 900_01	
			Status	10.06.2014	Released	SZ DSH 700 / 900_01
Hilti = registered trademark of Hilti Corporation, Schaan, LI			Drawn	06.11.2013	SCHOEBO	
Copyright reserved			Modified	10.06.2014	SCHOEBO	
			Checked			
					Document No.	350439 / K / 573600
					Material No.	359688



Only valid in relation with current engineering BOM

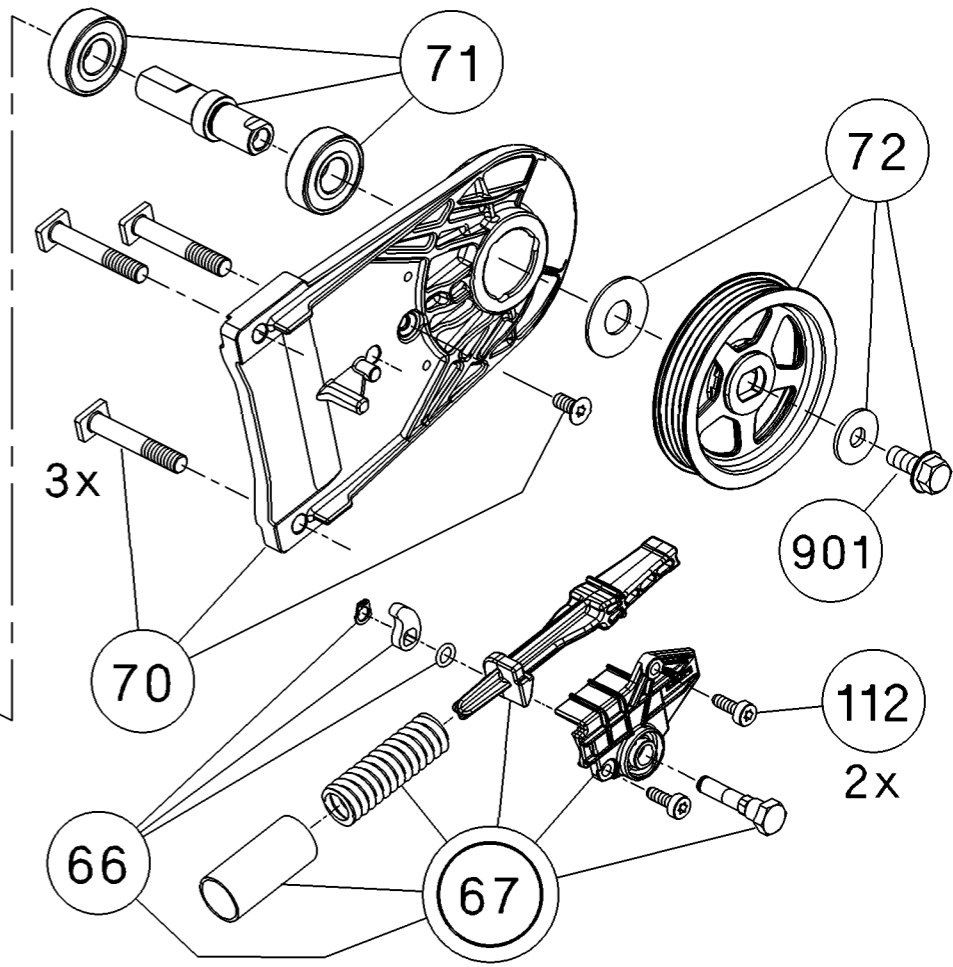
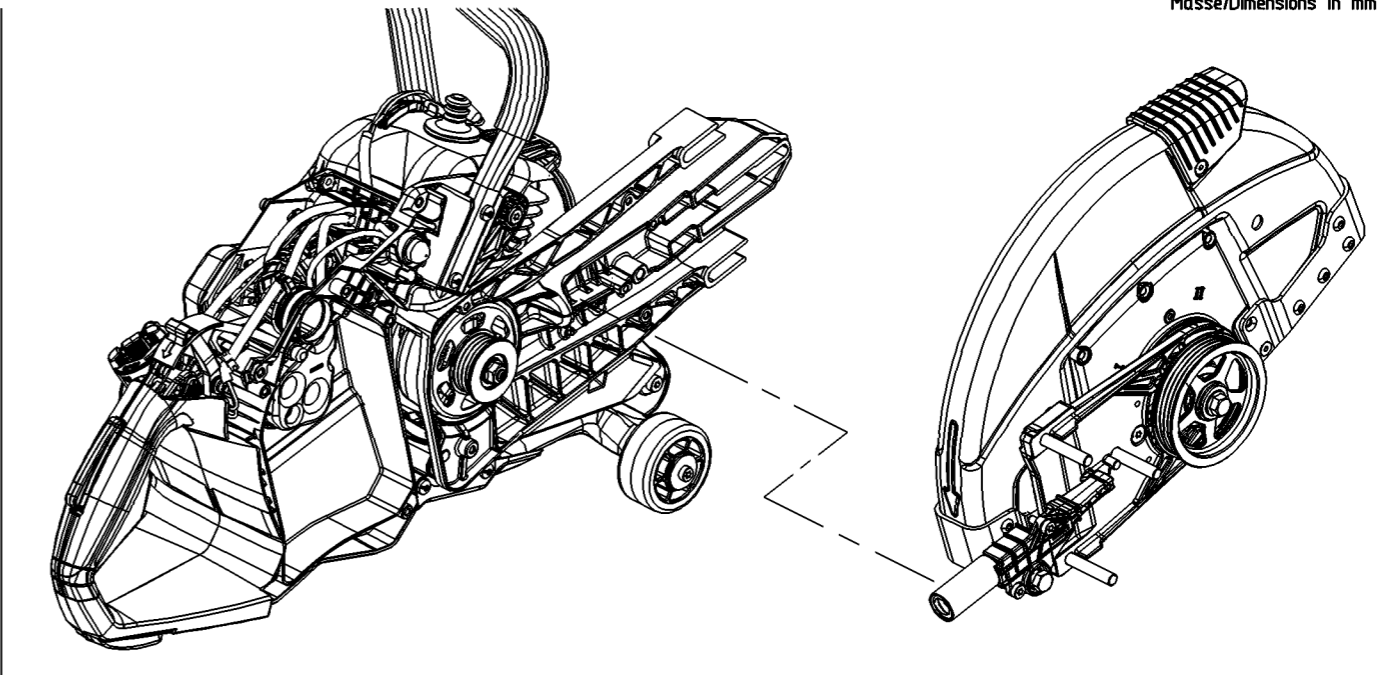
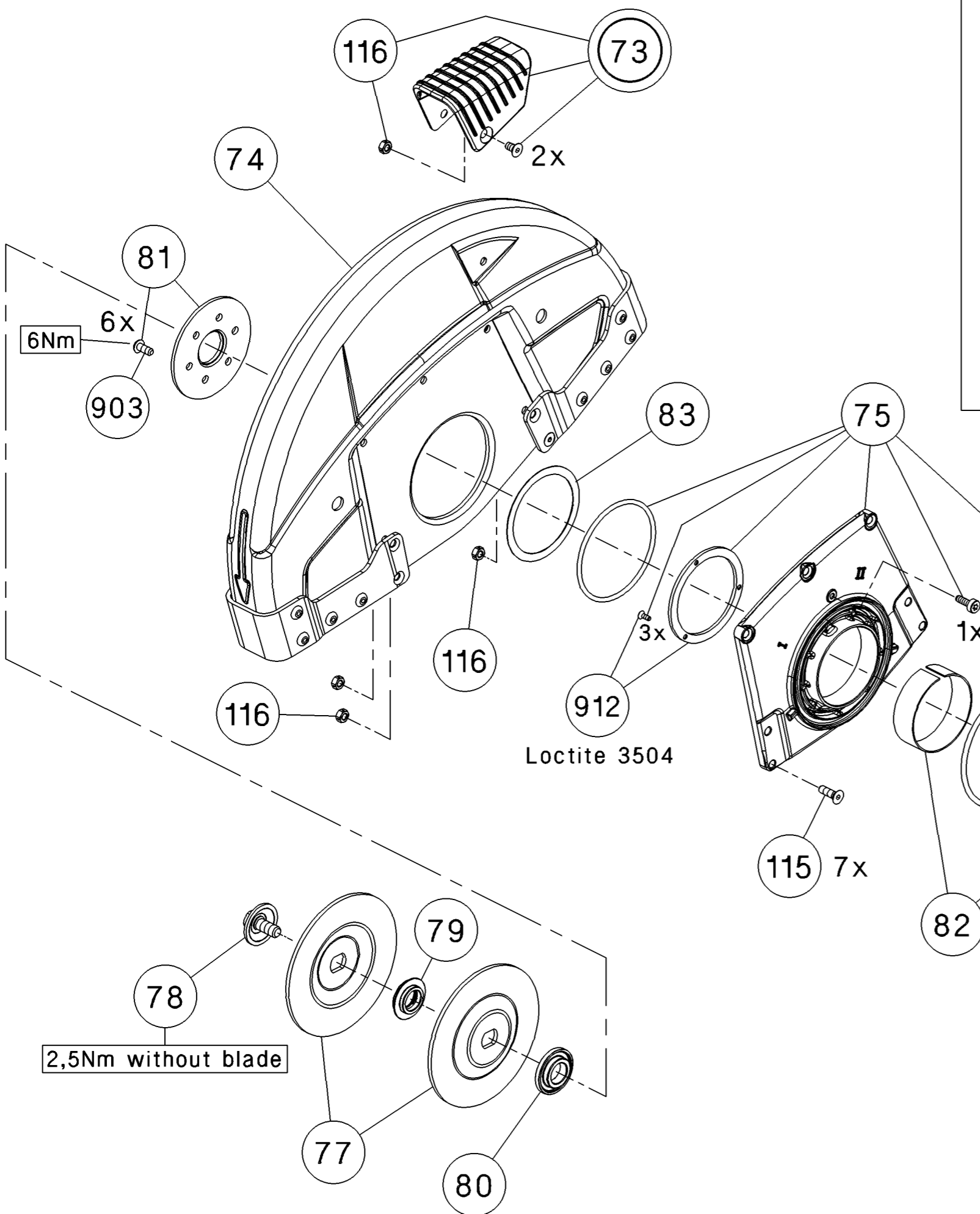
Scale	Format	ISO "E"	<input type="checkbox"/> Approval requirement	<input type="checkbox"/> Critical feature	Name	Sheet 4 of 13
-	A3		<input type="checkbox"/> ABE	<input type="checkbox"/> Major feature	SD DSH 700 / 900_01	
			Status	10.06.2014	Released	Document No. 350439 / K / 573600 Material No. 359688
Hilti = registered trademark of Hilti Corporation, Schaan, LI			Drawn	06.11.2013	SCHOEBO	
Copyright reserved			Modified	10.06.2014	SCHOEBO	
			Checked			



Only valid in relation with current engineering BOM

Scale	Format	ISO "E"	<input type="checkbox"/> Approval requirement	<input type="checkbox"/> Critical feature	Name	Sheet
-	A3		<input type="checkbox"/> ABE	<input type="checkbox"/> Major feature	SD DSH 700 / 900_01	
			Status	10.06.2014	Released	13
Hilti = registered trademark of Hilti Corporation, Schaan, LI			Drawn	06.11.2013	SCHOEBO	
Copyright reserved			Modified	10.06.2014	SCHOEBO	
			Checked			
					Document No.	350439 / K / 573600
					Material No.	359688

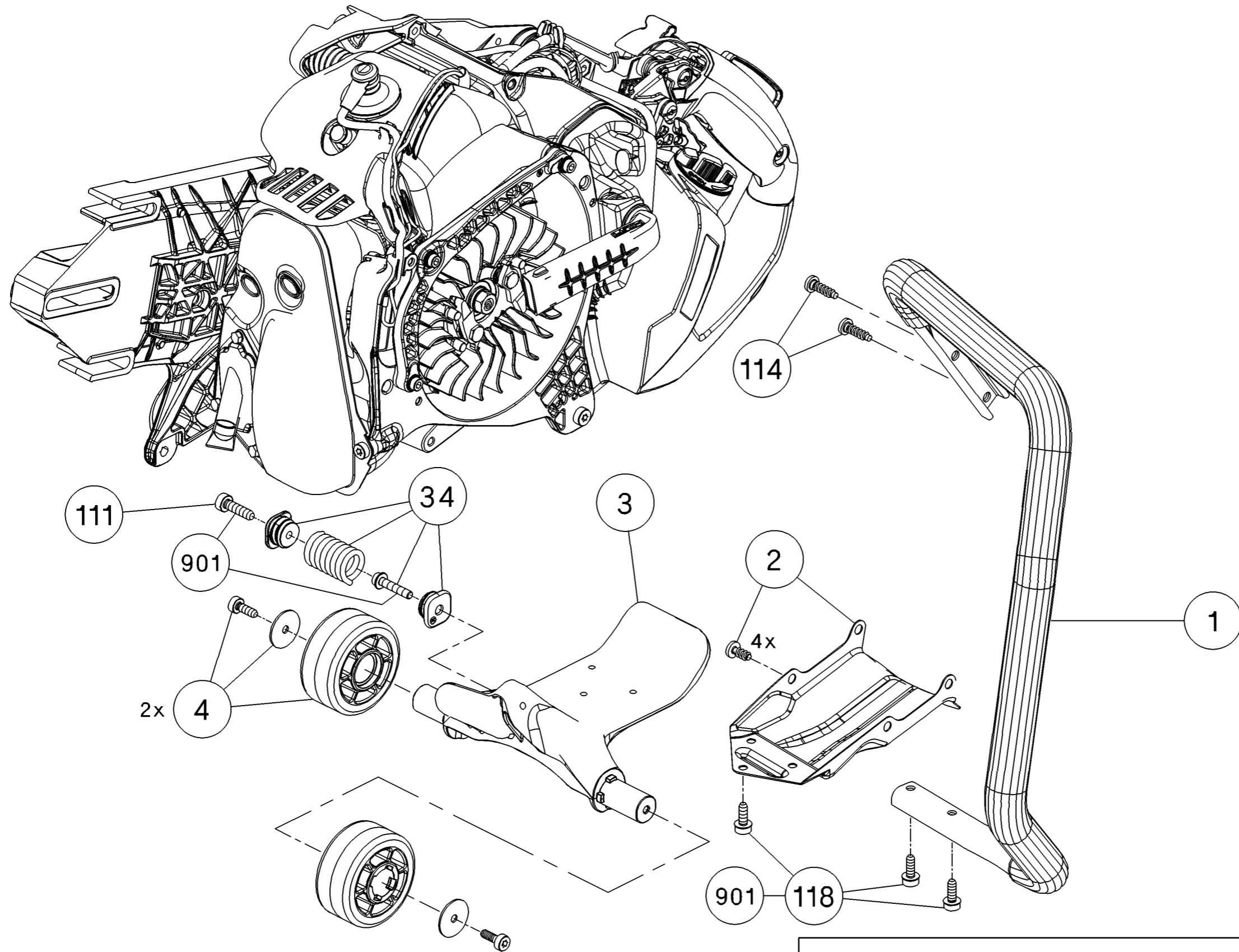
F
E
D
C
B
A



Loctite 3504

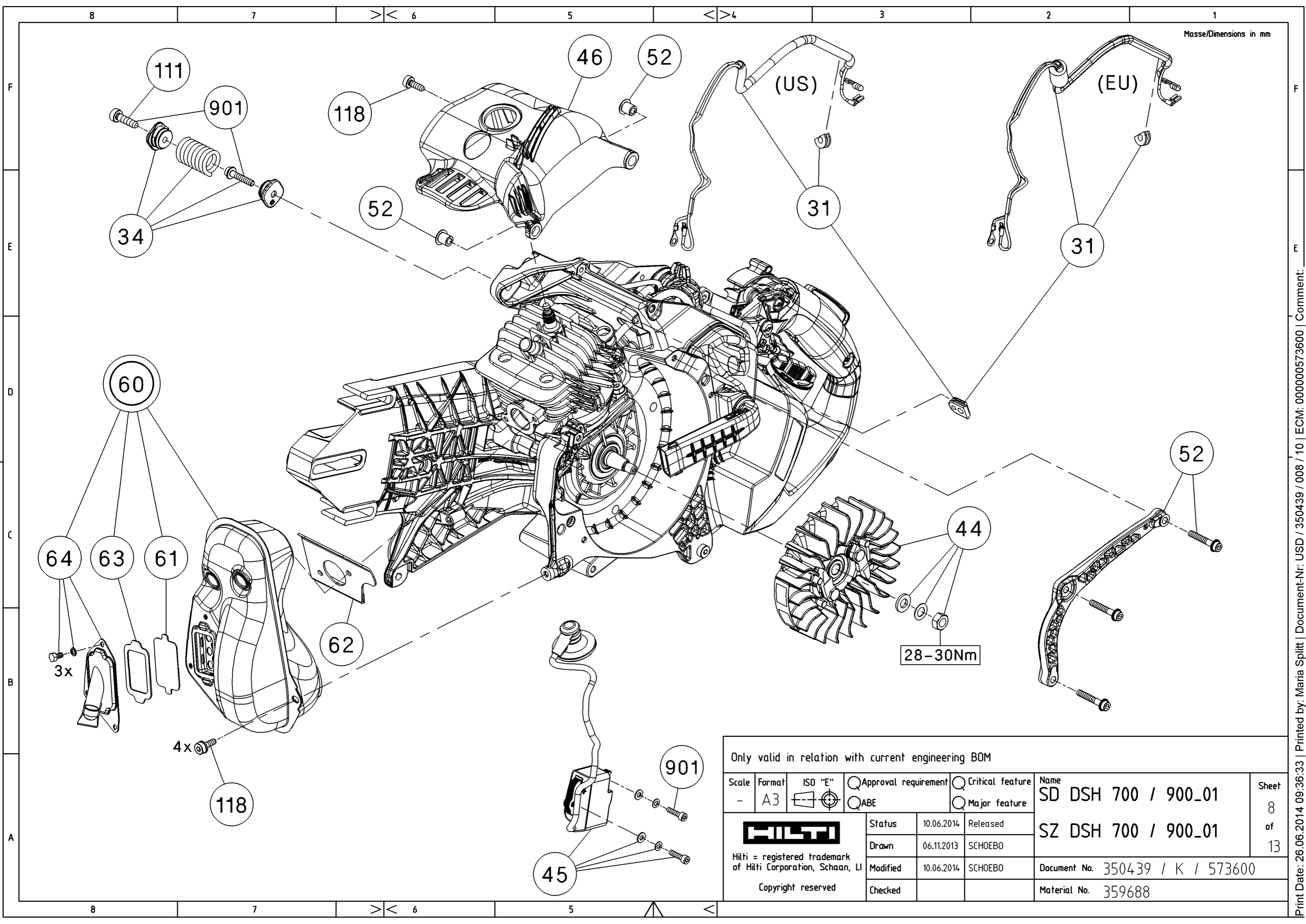
Only valid in relation with current engineering BOM

Scale	Format	ISO "E"	<input type="checkbox"/> Approval requirement	<input type="checkbox"/> Critical feature	Name	Sheet
-	A3		<input type="checkbox"/> ABE	<input type="checkbox"/> Major feature	SD DSH 700 / 900_01	6
<p>Hilti = registered trademark of Hilti Corporation, Schaan, LI Copyright reserved</p>					Status	10.06.2014 Released
					Drawn	06.11.2013 SCHOEBO
					Modified	10.06.2014 SCHOEBO
					Checked	
					SZ DSH 700 / 900_01	of 13
					Document No. 350439 / K / 573600	
					Material No. 359688	



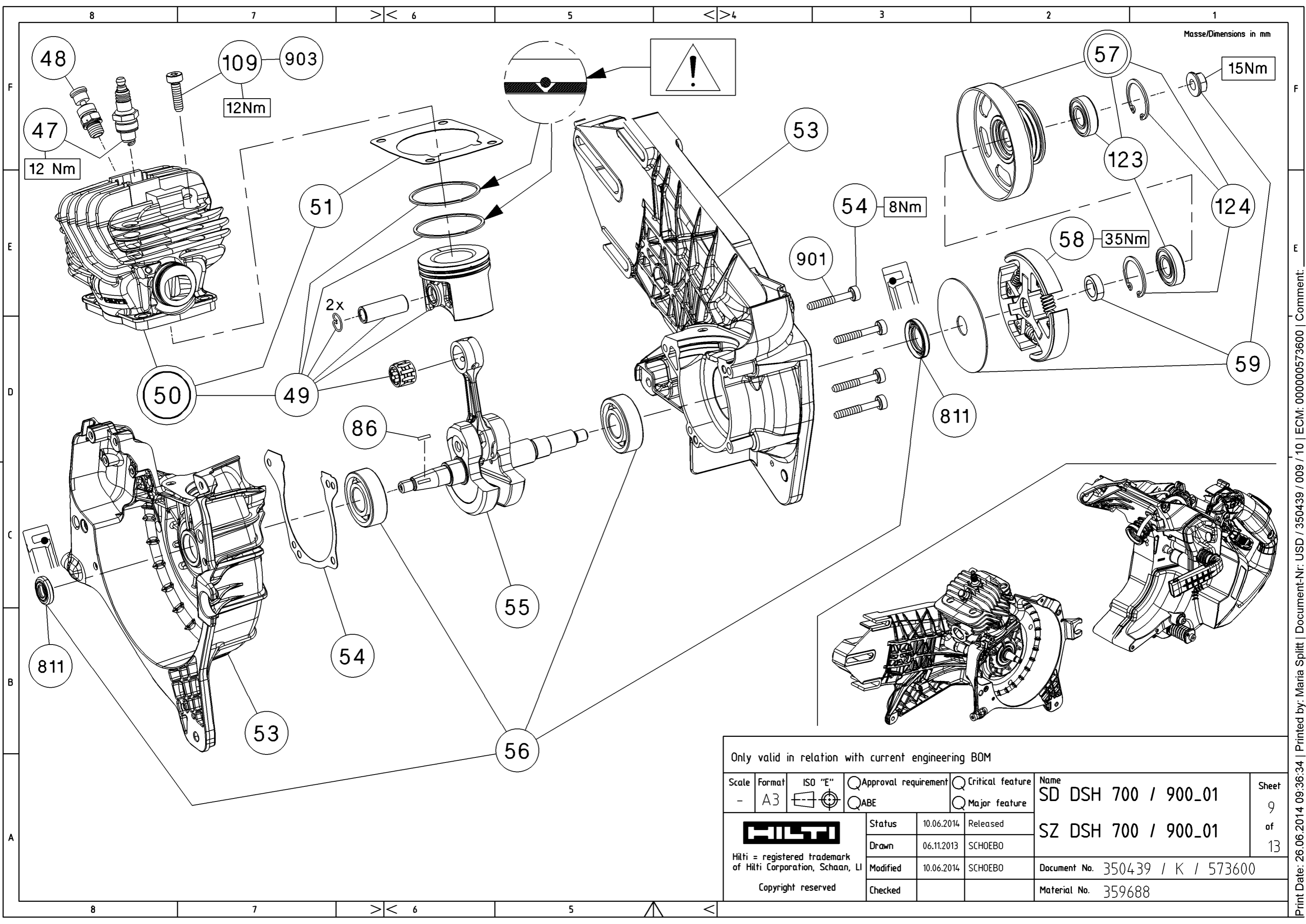
Only valid in relation with current engineering BOM

Scale	Format	ISO "E"	<input type="checkbox"/> Approval requirement	<input type="checkbox"/> Critical feature	Name	Sheet 7 of 13
-	A3		<input type="checkbox"/> ABE	<input type="checkbox"/> Major feature	SD DSH 700 / 900_01	
			Status	10.06.2014	Released	Document No. 350439 / K / 573600 Material No. 359688
Hilti = registered trademark of Hilti Corporation, Schaan, LI			Drawn	06.11.2013	SCHOEBO	
Copyright reserved			Modified	10.06.2014	SCHOEBO	
			Checked			



Only valid in relation with current engineering BOM

Scale	Format	ISO "E"	<input type="checkbox"/> Approval requirement	<input type="checkbox"/> Critical feature	Name	Sheet		
-	A3		<input type="checkbox"/> ABE	<input type="checkbox"/> Major feature	SD DSH 700 / 900_01		8	
<p>Hilti = registered trademark of Hilti Corporation, Schaan, LI Copyright reserved</p>					Status	10.06.2014	Released	SZ DSH 700 / 900_01 Document No. 350439 / K / 573600 Material No. 359688
					Drawn	06.11.2013	SCHOEBO	
Modified	10.06.2014	SCHOEBO						
Checked								



Masse/Dimensions in mm

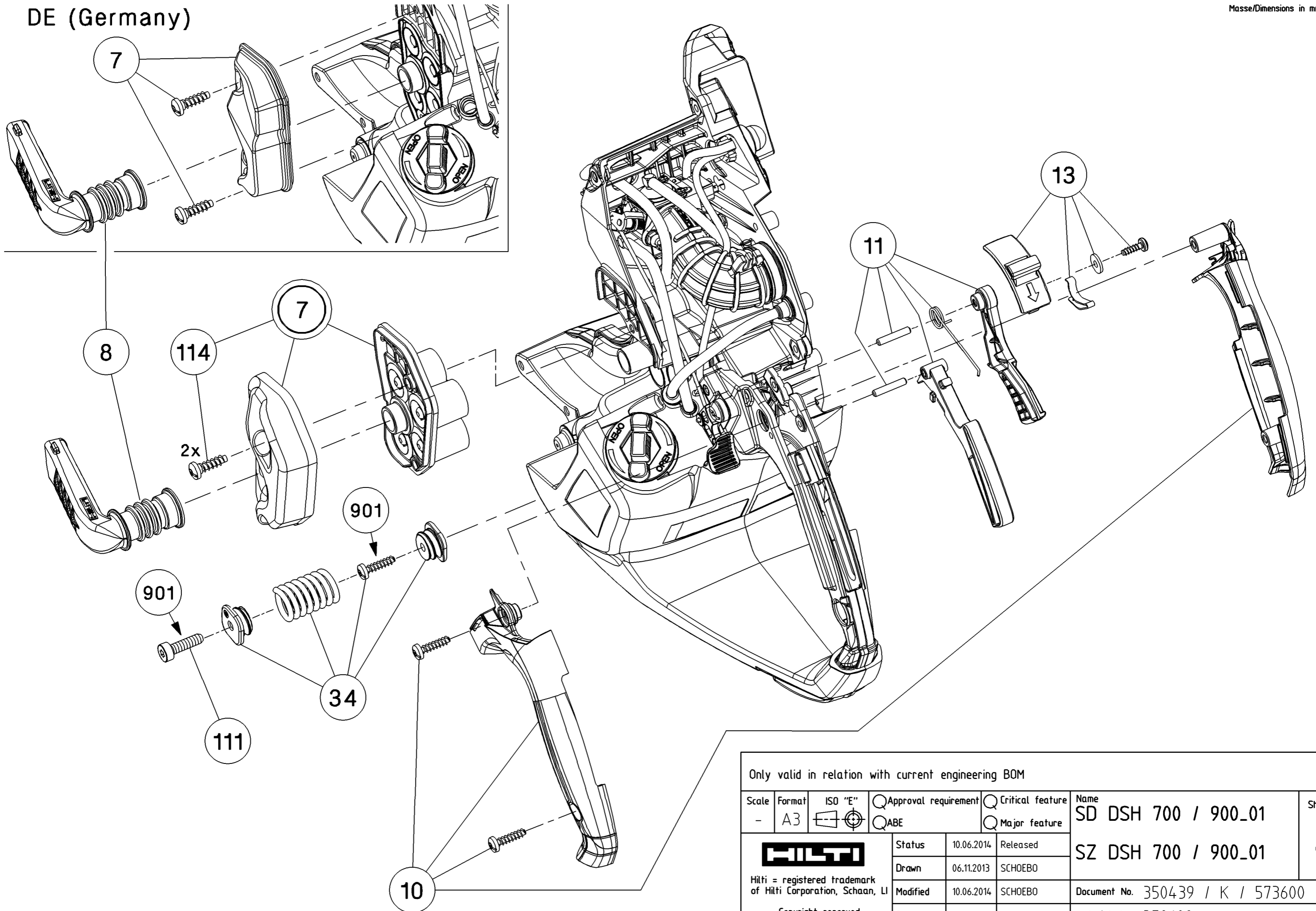
Only valid in relation with current engineering BOM

Scale	Format	ISO "E"	<input type="checkbox"/> Approval requirement	<input type="checkbox"/> Critical feature	Name	Sheet
-	A3		<input type="checkbox"/> ABE	<input type="checkbox"/> Major feature	SD DSH 700 / 900_01	9
<p>Hilti = registered trademark of Hilti Corporation, Schaan, LI Copyright reserved</p>					Status	10.06.2014 Released
					Drawn	06.11.2013 SCHOEBO
					Modified	10.06.2014 SCHOEBO
					Checked	
					SZ DSH 700 / 900_01	of 13
					Document No. 350439 / K / 573600	
					Material No. 359688	

Print Date: 26.06.2014 09:36:34 | Printed by: Maria Splitt | Document-Nr: USD / 350439 / 009 / 10 | ECM: 00000573600 | Comment:

DE (Germany)

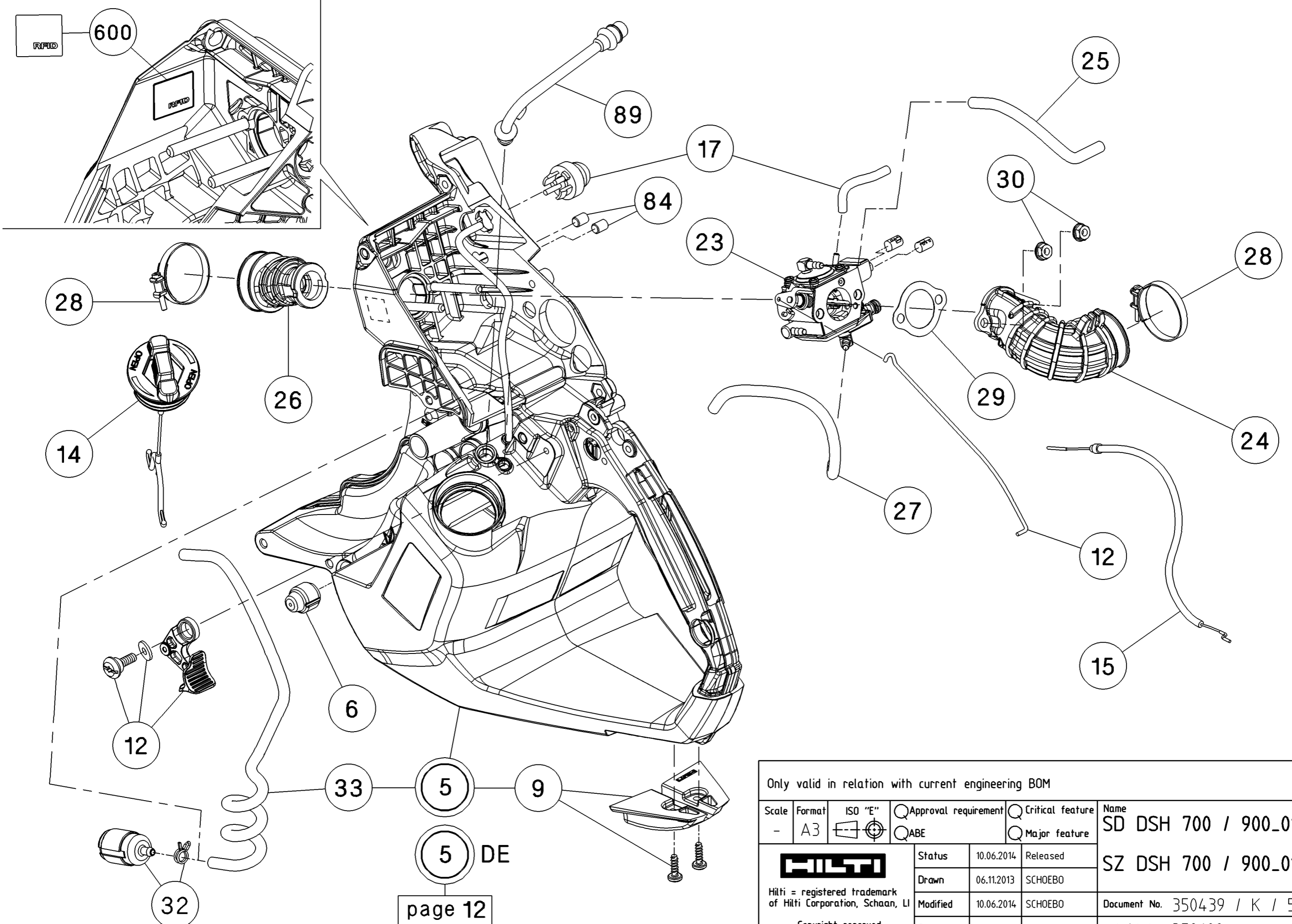
Masse/Dimensions in mm



Only valid in relation with current engineering BOM

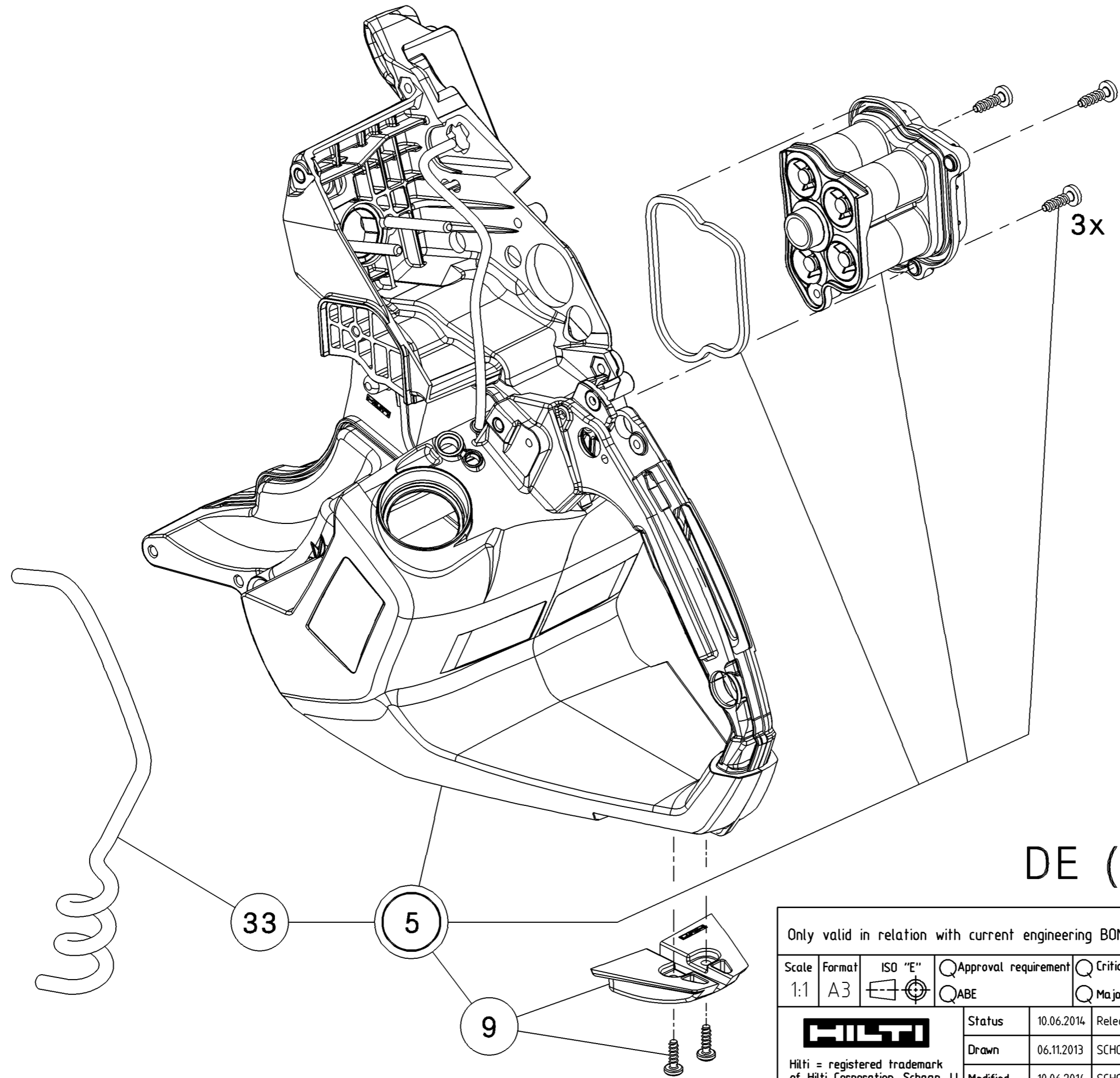
Scale	Format	ISO "E"	<input type="checkbox"/> Approval requirement	<input type="checkbox"/> Critical feature	Name	Sheet 10 of 13
-	A3		<input type="checkbox"/> ABE	<input type="checkbox"/> Major feature	SD DSH 700 / 900_01	
			Status	10.06.2014	Released	Document No. 350439 / K / 573600 Material No. 359688
Hilti = registered trademark of Hilti Corporation, Schaan, LI			Drawn	06.11.2013	SCHOEBO	
Copyright reserved			Modified	10.06.2014	SCHOEBO	
			Checked			

Print Date: 26.06.2014 09:36:35 | Printed by: Maria Splitt | Document-Nr: USD / 350439 / 010 / 10 | ECM: 00000573600 | Comment:



Only valid in relation with current engineering BOM

Scale	Format	ISO "E"	<input type="checkbox"/> Approval requirement	<input type="checkbox"/> Critical feature	Name	Sheet
-	A3		<input type="checkbox"/> ABE	<input type="checkbox"/> Major feature	SD DSH 700 / 900_01	11
<p>Hilti = registered trademark of Hilti Corporation, Schaan, LI Copyright reserved</p>					Status	10.06.2014 Released
					Drawn	06.11.2013 SCHOEBO
					Modified	10.06.2014 SCHOEBO
					Checked	
					SZ DSH 700 / 900_01	of 13
					Document No. 350439 / K / 573600	
					Material No. 359688	



DE (Germany)

Only valid in relation with current engineering BOM

Scale 1:1	Format A3	ISO "E" 	<input type="checkbox"/> Approval requirement <input type="checkbox"/> ABE	<input type="checkbox"/> Critical feature <input type="checkbox"/> Major feature	Name SD DSH 700 / 900_01 SZ DSH 700 / 900_01	Sheet 12 of 13
<p>Hilti = registered trademark of Hilti Corporation, Schaan, LI Copyright reserved</p>			Status 10.06.2014 Released	Drawn 06.11.2013 SCHOEBO	Document No. 350439 / K / 573600	
			Modified 10.06.2014 SCHOEBO	Checked	Material No. 359688	

8	7	>< 6	5	<>4	3	2	1																																										
F	<h3>Haftungsausschluss</h3> <p>Reparaturen am Gerät dürfen nur von einer entsprechend sachkundigen Fachkraft unter Berücksichtigung der gesetzlichen Vorschriften durchgeführt werden. Andernfalls besteht Unfall- und Verletzungsgefahr. Die entsprechenden Instruktionen bezüglich Pflege, Unterhalt und Reparaturen in den jeweiligen Bedienungsanleitungen sind strikte einzuhalten.</p>		<h3>Disclaimer</h3> <p>Tool repair must be performed only by qualified repair personnel knowledgeable about the specific tool and the legal requirements. Service, maintenance or repair performed by unqualified personnel could result in a risk of accidents and injury. The instructions with regard to service, maintenance and repair in the respective operating instructions must be strictly adhered to.</p>		<h3>免責條款</h3> <p>合格的機具維修人員必須具備特殊機具的知識，並符合法規的要求。由不合格的人員進行服務、保養或維修，可能會造成危險事故及傷害。必須嚴格遵守各項說明書中之服務、保養及維修的說明。</p>		<p>Masse/Dimensions in mm</p> <h3>Изключване на отговорността</h3> <p>Уреалт може да се ремонтира само от компетентен специалист при съблюдаване на нормативните разпоредби. В противен случай може да възникне опасност от нараняване или злополука. Трябва да се спазват стриктно съответните инструкции по отношение на техническо обслужване, поддръжка и ремонт, които са приведени в съответните ръководства за експлоатация.</p>																																										
E	<h3>Vyloučení záruky</h3> <p>Opravy náradí směji, s ohledem na zákonné předpisy, provádět náležitým způsobem jen odborně kvalifikovaní pracovníci. Jinak vzniká riziko úrazu a poškození. Pokyny ohledně ošetřování, údržby a oprav, uvedené v příslušných návodech k použití, musí být přesně dodrženy.</p>		<h3>Ansvarsfraskrivelse</h3> <p>Reparationer på apparatet skal altid udføres af en fagmand i overensstemmelse med de gældende regler og bestemmelser. I modsat fald er der risiko for ulykker og personskader. Anvisningerne på pleje, vedligeholdelse og reparationer, der er beskrevet i instruktionsbogen, skal altid overholdes.</p>		<h3>Αποποίηση ευθυνών</h3> <p>Επισκευές στη συσκευή επιτρέπεται να διενεργούνται μόνο από αντίστοιχα εκπαιδευμένα πρόσωπα λαμβάνοντας υπόψη τις νομικές διατάξεις. Διαφορετικά υπάρχει κίνδυνος για ατυχήματα και τραυματισμούς. Πρέπει να τηρούνται αυστηρά οι ισχύουσες οδηγίες που αναφέρονται στα εκάστοτε εργαλεία χρήσης όσον αφορά τη φροντίδα, τη συντήρηση και τις επισκευές.</p>		<h3>Exención de responsabilidad</h3> <p>Las reparaciones que se realicen en la herramienta sólo pueden ser efectuadas por expertos especializados conforme a las disposiciones legales. En caso contrario, existe el peligro de accidente o el riesgo de lesiones. Las indicaciones referentes al cuidado, al mantenimiento y a las reparaciones incluidas en los correspondientes manuales de instrucciones deben cumplirse estrictamente.</p>																																										
E	<h3>Vastutuse välistamine</h3> <p>Seadet tohvad parandada üksnes asjaomase ettevõtmistusega spetsialistid, kes peavad kinni seadusandlikest eeskirjadest. Nimetatud nõude eiramise tagajärjeks on vigastuste ja õnnetuste oht. Rangelt tuleb järgida iga seadme kasutusjuhendis toodud asjaomaseid hooldus-, korrashoiu- ja parandusjuhiseid</p>		<h3>Vastuulauseke</h3> <p>Laitteiden ja koneiden korjaustöitä saa tehdä vain ammattitaitoinen, näihin töihin koulutettu henkilö, ja toisssä on noudatettava lakisääteisiä määräyksiä. Muutoin onnettomuus- ja loukkaantumisvaara on olemassa. Käyttöohjeissa annettuja hoitoa, ylläpitoa ja korjauksia koskevia ohjeita on ehdottomasti noudatettava tarkasti.</p>		<h3>Limitation de responsabilité</h3> <p>Les réparations sur l'appareil doivent exclusivement être effectuées par une main-d'œuvre qualifiée et compétente, conformément aux prescriptions légales. À défaut de quoi, il y a risque d'accidents et de blessures corporelles. Les instructions correspondantes relatives au nettoyage, à l'entretien et aux réparations spécifiées dans les modes d'emploi respectifs doivent être rigoureusement respectées.</p>		<h3>Isključenje odgovornosti</h3> <p>Popravke na uređaju smiju izvoditi samo odgovarajući stručnjaci uzimajući u obzir zakonske propise. U suprotnom slučaju postoji opasnost od nezgoda i tjelesnih ozljeda. Strogo se valja pridržavati odgovarajućih uputa glede njege, održavanja i popravaka u pojedinim uputama za uporabu.</p>																																										
D	<h3>A felelősség kizárása</h3> <p>A szerszám javítását csak kifejezetten hozzáértő szakember végezheti a vonatkozó törvényes előírások betartásával. Ennek figyelmen kívül hagyása baleset- és sérülésveszélyt idéz elő. A mindenkori kezelési utasítás szervizre, karbantartásra és javításra vonatkozó rendelkezéseit szigorúan be kell tartani.</p>		<h3>Esclusione di responsabilità</h3> <p>Le riparazioni dell'attrezzo devono essere eseguite esclusivamente da personale specializzato addestrato, osservando i relativi requisiti di legge. In caso contrario sussiste il pericolo di incidenti e di lesioni. Attenersi con precisione alle istruzioni relative alla cura, la manutenzione e la riparazione riportate nelle rispettive istruzioni d'uso.</p>		<h3>免責条項</h3> <p>本体の修理は、訓練を受けた修理スペシャリストのみが、適用されている法規に従って行うことができます。その他の方が修理しますと、怪我や事故の危険がともないます。取扱説明書に記述されている手入れ、保守および修理に関する指示を必ず遵守してください。</p>		<h3>보증제외</h3> <p>기기의 수리는 법규를 고려하여 전문 기술자만이 실시할 수 있습니다. 그렇게 하지 않으면 사고 및 부상의 위험이 있습니다. 해당 사용 설명서에 기재되어 있는 서비스, 유지보수 및 수리와 관련된 지침을 엄격하게 준수해야 합니다.</p>																																										
C	<h3>Atsakomybės apribojimas</h3> <p>Prietaisais gali būti taisomas tik atitinkama kvalifikacija turinčių specialistų atsizvelgiant į teisinius poavarius. Priešingu atveju yra pavojus patirti nelaimingą atsitikimą arba susižeisti. Privatu tiksliai laikytis atitinkamų priežiūros, aptarnavimo ir remonto instrukcijų, nurodytų atitinkamo prietaiso naudojimo instrukcijoje.</p>		<h3>Atbildības atsaukšana</h3> <p>Instrumenta remonu drīkst veikt tikai atbilstoši kvalificēts personāls, ievērojot spēkā esošās tiesību normas. Citādā gadījumā pastāv negadījumu risks un risks gūt traumas. Stingri jāievēro atbilstoši attiecīgo lietošanas instrukciju norādījumi, kuri attiecas uz instrumentu kopšanu, uzturēšanu kārtībā un remontu.</p>		<h3>Disclaimer</h3> <p>Reparaties aan het apparaat mogen alleen worden uitgevoerd door gekwalificeerd en deskundig personeel, met inachtneming van de wettelijke voorschriften. Wordt hier niet aan voldaan, dan kan dit leiden tot ongevallen of letsel. Men dient zich strikt te houden aan de instructies inzake verzorging, onderhoud en reparaties in de betreffende gebruiksaanwijzingen.</p>		<h3>Ansvarsfraskrivelse</h3> <p>Reparasjon av maskinen skal kun foretas av sakkyndig fagperson. Lovfestede krav må følges under dette arbeidet. I motsatt fall oppstår fare for ulykker og personskade. De tilhørende instruksjonene vedrørende pleie, vedlikehold og reparasjon i de tilhørende bruksanvisningene må følges nøye.</p>																																										
B	<h3>Wyłączenie odpowiedzialności cywilnej</h3> <p>Naprawy urządzenia mogą być przeprowadzane wyłącznie przez autoryzowanego serwisanta z uwzględnieniem obowiązujących przepisów prawnych. W przeciwnym razie istnieje zagrożenie spowodowania wypadku i obrażeń. Należy dokładnie przestrzegać zaleceń z poszczególnych instrukcji obsługi dotyczących pielęgnacji, utrzymywania w stanie sprawności oraz napraw.</p>		<h3>Exclusão de responsabilidade</h3> <p>As reparações no aparelho devem ser efectuadas apenas por pessoal técnico especializado, sob consideração das prescrições legais. Caso contrário, existe perigo de acidente e ferimentos. As respectivas instruções relativas à conservação, manutenção e reparações que constam no respectivo manual de instruções devem ser rigorosamente respeitadas.</p>		<h3>Исключение ответственности</h3> <p>Ремонт аппарата должен выполняться только квалифицированным специалистом при условии соблюдения предписаний, установленных законом. В противном случае возможна угроза несчастного случая или травмирования. Следует неукоснительно выполнять инструкции по уходу, содержанию и ремонту аппарата, приведенные в соответствующих руководствах по эксплуатации.</p>		<h3>Vylúčenie záruky</h3> <p>Opravy náradia smú, s ohľadom na zákonné predpisy, vykonávať náležitým spôsobom len odborné kvalifikovaní pracovníci. Inak vzniká riziko úrazu a poškodenia. Pokyny týkajúce sa ošetrovania, údržby a opráv, uvedené v príslušných návodoch na používanie, musia byť presne dodržané.</p>																																										
B	<h3>Isključitev odgovornosti</h3> <p>Popravila lahko izvajajo le ustrezno usposobljeni strokovnjaki ob upoštevanju zakonskih predpisov. V nasprotnem primeru obstaja nevarnost nesreč in poškodb. Strogo je treba upoštevati ustrezna navodila glede nege, vzdrževanja in popravila iz posameznih navodil za uporabo.</p>		<h3>Friskrivning från ansvar</h3> <p>Reparationer på detta verktyg får endast utföras av fackman, och gällande lagar och regler måste följas. I annat fall finns risk för olyckor och skador. Instruktionerna om skötsel, underhåll och reparationer i respektive bruksanvisning måste följas strikt.</p>		<div style="text-align: right;">☑</div>																																												
A	<h3>Clauze de exonerare</h3> <p>Repararea maşinii (sculei) trebuie efectuată doar de către personal calificat pentru reparații, care posedă cunoștințe despre mașina respectivă și cerințele legale. Activitățile de depanare, întreținere și reparare efectuate de personal necalificat pot duce la risc de accidentări și vătămări. Trebuie respectate cu strictețe toate instrucțiunile de depanare, întreținere și reparare din manualele de utilizare respective.</p>				<table border="1"> <tr> <td colspan="6">Only valid in relation with current engineering BOM</td> </tr> <tr> <td>Scale</td> <td>Format</td> <td>ISO "E"</td> <td><input type="radio"/> Approval requirement</td> <td><input checked="" type="radio"/> Critical feature</td> <td rowspan="2">Name SD DSH 700 / 900_01</td> <td rowspan="2">Sheet 13 of 13</td> </tr> <tr> <td>-</td> <td>A3</td> <td></td> <td><input type="radio"/> ABE</td> <td><input checked="" type="radio"/> Major feature</td> </tr> <tr> <td colspan="3" rowspan="4"></td> <td>Status</td> <td>10.06.2014</td> <td>Released</td> <td rowspan="4">Document No. 350439 / K / 573600</td> </tr> <tr> <td>Drawn</td> <td>08.05.2014</td> <td>SCHOEBO</td> </tr> <tr> <td>Modified</td> <td>10.06.2014</td> <td>SCHOEBO</td> <td rowspan="2">Material No. 359688</td> </tr> <tr> <td>Checked</td> <td></td> <td></td> </tr> <tr> <td colspan="3">Hilti = registered trademark of Hilti Corporation, Schaan, LI</td> <td colspan="3">Copyright reserved</td> </tr> </table>		Only valid in relation with current engineering BOM						Scale	Format	ISO "E"	<input type="radio"/> Approval requirement	<input checked="" type="radio"/> Critical feature	Name SD DSH 700 / 900_01	Sheet 13 of 13	-	A3		<input type="radio"/> ABE	<input checked="" type="radio"/> Major feature				Status	10.06.2014	Released	Document No. 350439 / K / 573600	Drawn	08.05.2014	SCHOEBO	Modified	10.06.2014	SCHOEBO	Material No. 359688	Checked			Hilti = registered trademark of Hilti Corporation, Schaan, LI			Copyright reserved				
Only valid in relation with current engineering BOM																																																	
Scale	Format	ISO "E"	<input type="radio"/> Approval requirement	<input checked="" type="radio"/> Critical feature	Name SD DSH 700 / 900_01	Sheet 13 of 13																																											
-	A3		<input type="radio"/> ABE	<input checked="" type="radio"/> Major feature																																													
			Status	10.06.2014	Released	Document No. 350439 / K / 573600																																											
			Drawn	08.05.2014	SCHOEBO																																												
			Modified	10.06.2014	SCHOEBO		Material No. 359688																																										
			Checked																																														
Hilti = registered trademark of Hilti Corporation, Schaan, LI			Copyright reserved																																														
8	7	>< 6	5	4	3	2	1																																										